



T-LED s.r.o.
Žitná 23/610, 110 00 Praha 1
Česká republika
IČ: 28916913 DIČ: CZ28916913
tel: 223 000 247, GSM: 734 543 813
www.t-led.cz info@t-led.cz

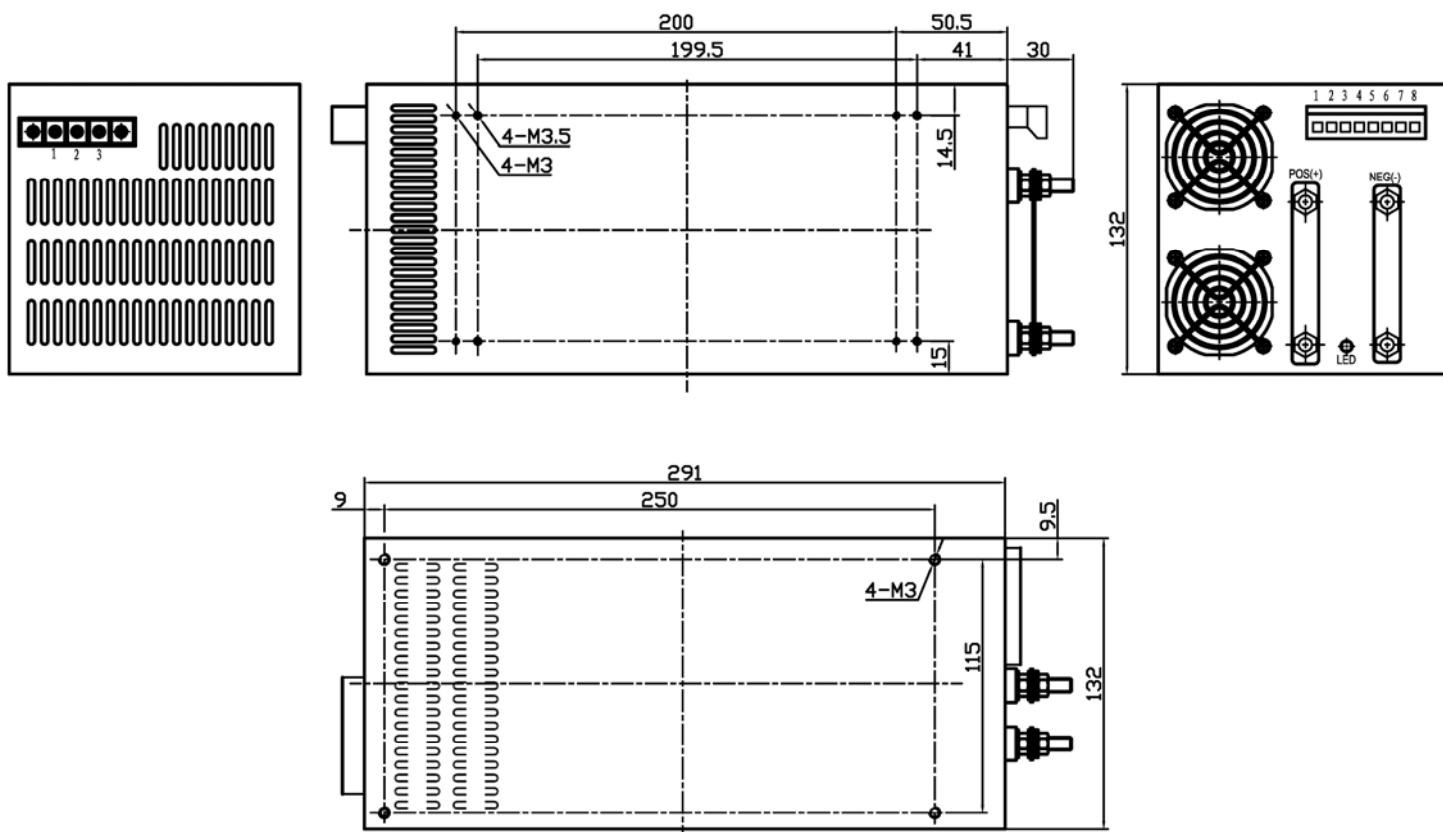


Katalogový list spínaný zdroj pro LED

Model TLHS-1500 12-48V 1500W

MODEL TLHS-12-1500					
OUTPUT	DC VOLTAGE	12V	15V	24V	48V
	VOLTAGE TOLERANCE	+1%	+1%	+1%	+1%
	RATED CURRENT	125A	100A	62.5A	32A
	CURRENT RANGE	0-125A	0-100A	0-62.5A	0-32A
	RATED POWER	1500W	1500W	1500W	1536W
	RIPPLE & NOISE	120mVp-p	150mVp-p	240mVp-p	480mVp-p
	DC ADJUSTMENT RANGE	Can adjust from 20%~100% output voltage by external control 1-5V			
	SETUP, RISE, HOLD TIME	800ms, 50ms, 16ms at full load			
INPUT	VOLTAGE RANGE	200~260 VAC 47~63 Hz, 280~370VDC			
	AC CURRENT	12A/230 VAC			
	EFFICIENCY	83%	84%	85%	87%
	INRUSH CURRENT	120A/230V			
	LEAKAGE CURRENT	3.5 mA/240VAC			
PROTECTION	OVER LOAD	110%~135% Protection type: Current limiting, delay shut down o/p voltage, re-power on to recover			
	OVER VOLTAGE	110%~135% Protection type: Shut down o/p voltage, re-power on to recover			
	OVER TEMP.	TSW1 (Power transistor) temp.>100 °C, shut down o/p voltage, re-power on to recover			
ENVIRONMENT	WORKING TEMP., HUMIDITY	-10°C~+85°C, 20%~90 %RH			
	STORAGE TEMP., HUMIDITY	-20°C~+85°C, 10%~95 %RH			
	VIBRATION	10~200Hz, 2G 10min./cycle, period for 60min, each along X, Y, Z axes			
SATEY	WITHSTAND VOLTAGE	I/P-O/P, I/P-FG:1500VAC			
	ISOLATION RESISTANCE	I/P-O/P, I/P-FG, >100M Ohms / 500VDC			
STANDARD	SAFETY STANDARD	Design refer to UL1950, CSA22.2, IEC60950			
	EMC STANDARD	Design refer to FCC Part 15 Class A			
OTHERS	WEIGHT	4.5Kg;			
	PACKING	4pcs/20kg/CARTON			
	SPECIAL FUNCTION	DC voltage adj., Remote sensing, remote control, parallel operation (refer to terminal instruction manual)			
NOTE	<ol style="list-style-type: none"> All parameters NOT specially mentioned are measured at 230VAC input, rated load and 25°C of ambient temperature. Ripple & noise are measured at 20MHz of bandwidth by using a 12" twisted pair-wire terminated with a 0.1µ & 47µ parallel capacitor. Tolerance: includes set up tolerance, line regulation and load regulation. The power supply is considered a component which will be installed into a final equipment. The final equipment must be re-confirmed that it still meets EMC directives. 				

■ Outline and Dimension:



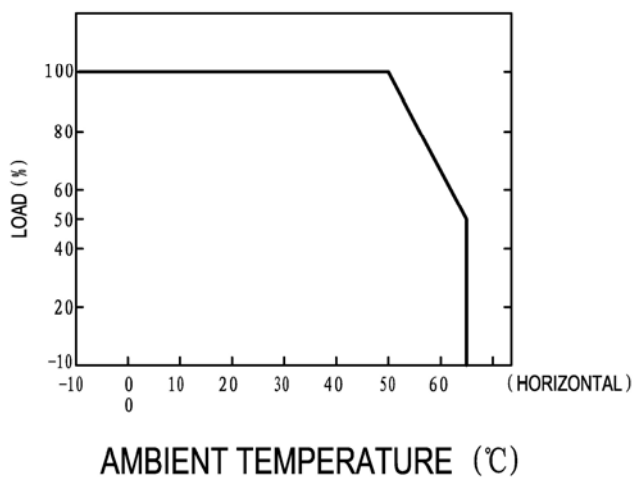
Terminal Pin No. Assignment:

Pin No.	Assignment
1	AC/L
2	AC/N
3	FG

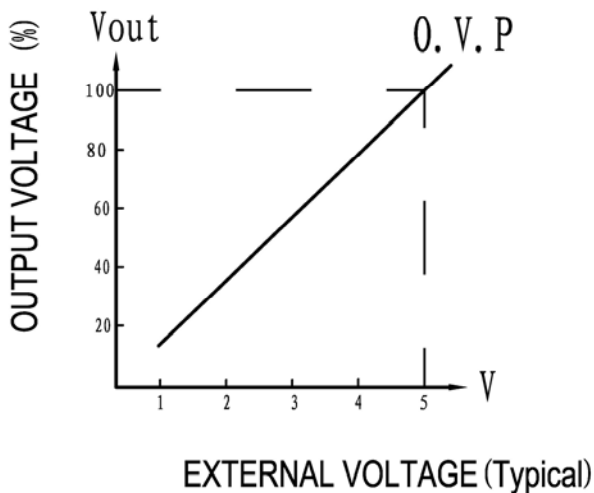
Control Terminal Pin No. Assignment (CN1): Dinkle 51HDBC-08P or equivalent

Pin No.	Assignment	Pin No.	Assignment	Mating With
1	VS+	5	GND	Dinkle 51SDB-08P or equivalent
2	VS-	6	PAR	
3	VCI	7	GND	
4	VCO	8	INH	

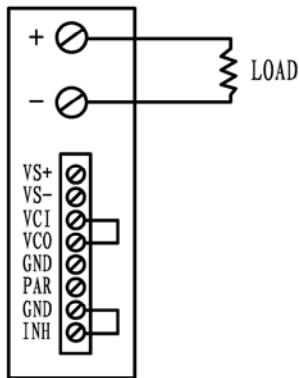
■ Derating Curve



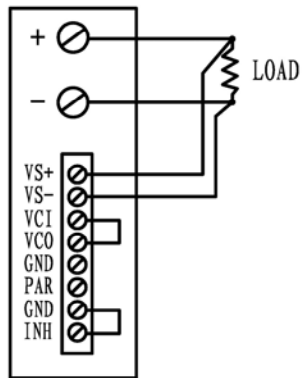
■ External DC Control VS Output Voltage



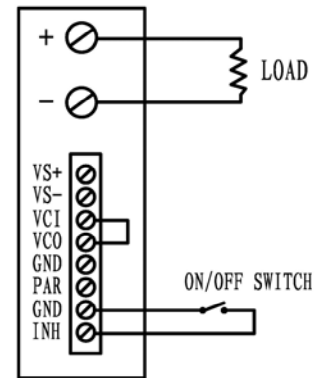
■ Control Terminal Instruction Manual:



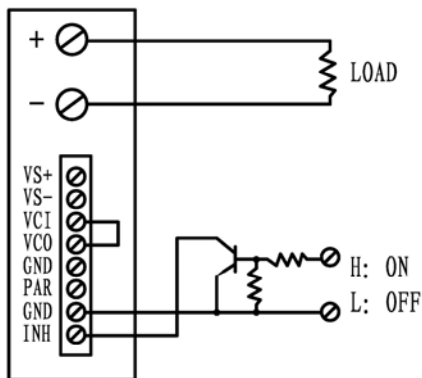
USING INTERNAL VOLTAGE CONTROL



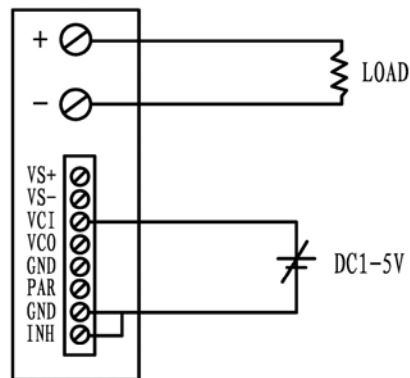
REMOTE SENSING



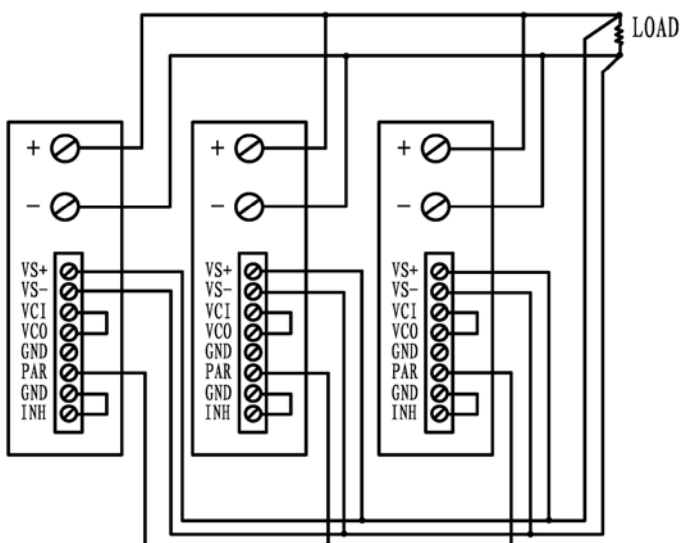
ON/OFF CONTROL BY SWITCH



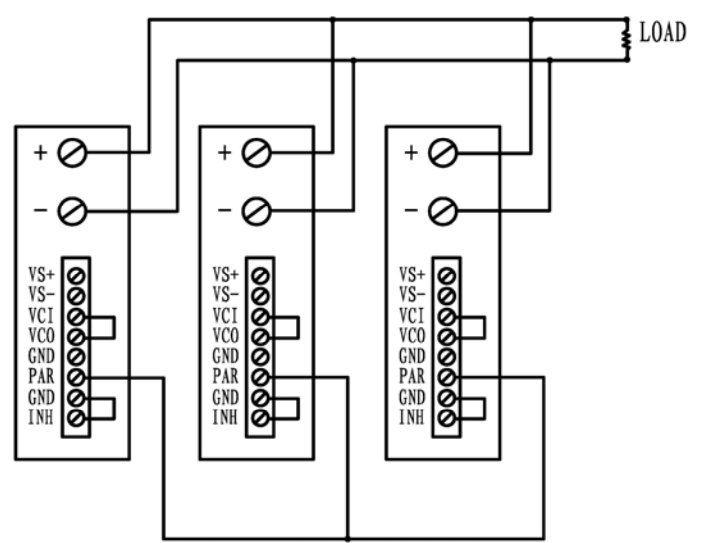
ON/OFF CONTROL BY TRANSISTOR



OUTPUT VOLTAGE ADJUST WITH DC1-5V



PARALLEL OPERATION WITH REMOTE SENSING



PARALLEL OPERATION