



Dimension: 291 × 132 × 68mm

### Features:

- High reliability, low ripple
- AC input current AC 190–260V
- Protections: Short circuit/Over load/Over voltage/Over temperature
- Built-in remote ON–OFF control and remote sense function
- With parallel function
- Can adjust from 20%~10% output voltage by external control 1~5V
- Forced air cooling by built-in DC fan
- 2 Years warranty



TLPZ-1000W							
Output	DC voltage	12V	15V	24V	27V	36V	48V
	Voltage tolerance	± 1%	± 1%	± 1%	± 1%	± 1%	± 1%
	Rated current	80A	66A	40A	37A	28A	20A
	Current range	0 ~ 80A	0 ~ 66A	0 ~ 40A	0 ~ 37A	0 ~ 28A	0 ~ 20A
	Rated power	1000W	1000W	1000W	1000W	1000W	1000W
	Ripple&noise	150mVp-p	150mVp-p	240mVp-p	240mVp-p	240mVp-p	240mVp-p
	DC voltage ADJ. range	-9% ~ +10%	± 10%	± 10%	± 10%	± 10%	± 10%
	Setup, rise, hold up time	1000ms, 50ms, 20ms/230VAC					
Input	Voltage range	190 ~ 260VAC 47 ~ 63Hz, 255 ~ 373VDC					
	AC current	8A/230VAC					
	Efficiency	84%	84%	85%	83%	86%	87%
	Power factor	0.95/100–240VAC					
	leakage current	< 3.5mA/240VAC					
Protection	Overload	Rated output power 115% ~ 135% Start overload protection protection type: cutoff output, recovery after restart power					
	Over voltage	13.8 ~ 16.2V	18.6 ~ 20.8V	30.6 ~ 33.2V	33.2 ~ 35.6V	42.6 ~ 44.2V	54.8 ~ 56.6V
	Over temperature	≥85°C ± 5°C (TSW1 detect on heatsink of power transistor) Protection mode: cutoff output, auto-recovery after temperature become normal					
Environment	Working temp, humidity	-10°C ~ +60°C; 20% ~ 90%RH					
	Storage temp, humidity	-20°C ~ +85°C; 10% ~ 95%RH Non-condensing					
	Withstand vibration	10 ~ 500Hz, 2G 10min./1Cycle, Period for 60min, Each axes					
Safety	Withstand voltage	I/P-O/P: 1.5KVAC I/P-FG: 1.5KVAC O/P-FG: 0.5KVAC					
	Isolation resistance	I/P-O/P: I/P-FG, O/P-FG: 100M Ohms/500VDC					
Fit standard	Safety standard	Fit UL1012					
	EMC Standard	Fit EN55022, CLASSA					
Others	Dimension	291*132*68 mm ( L*W*H )					
	Packing	2.35kg/8pcs/19kg/0.9CUFT					

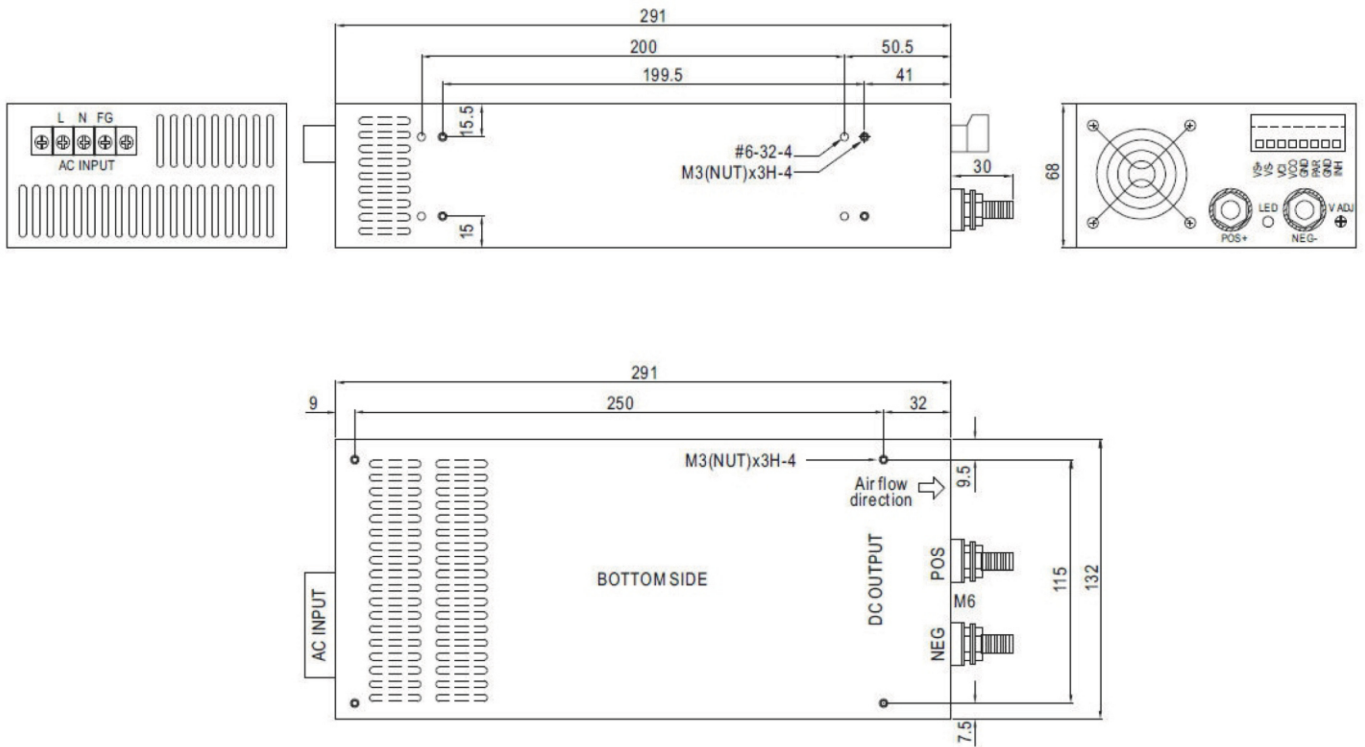
Note: 1. All parameters NOT specially mentioned are measured at 230VAC input, rated load and 25°C of ambient temperature.

2. Ripple & noise are measured at 20MHz of bandwidth by using a 12" twisted pair-wire terminated with a 0.1uf & 47uf parallel capacitor.

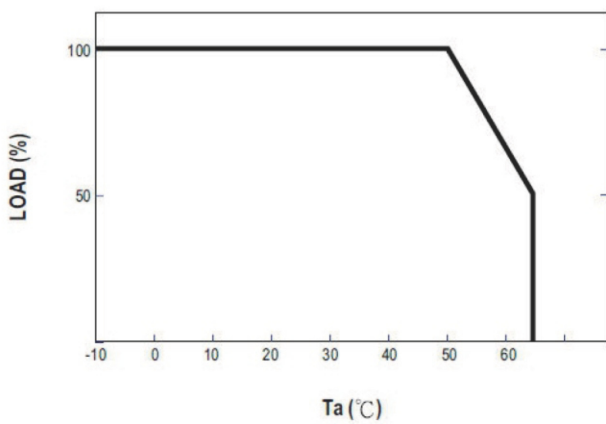
3. Tolerance : includes set up tolerance, line regulation and load regulation.

## Mechanical specification

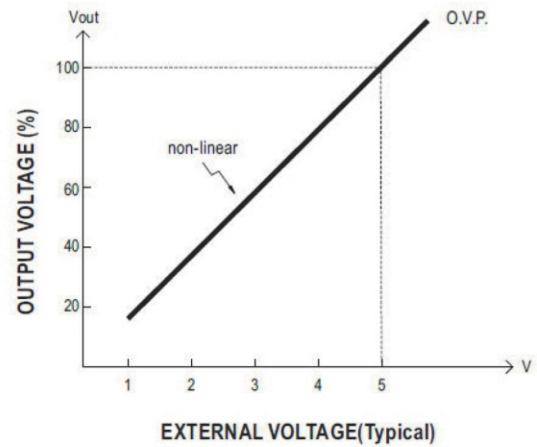
Unit:mm



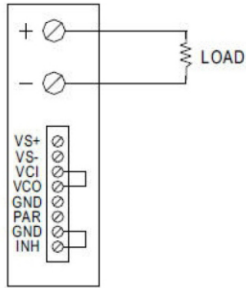
## Derating Curve



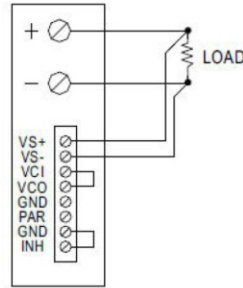
## External DC Control VS Output Voltage



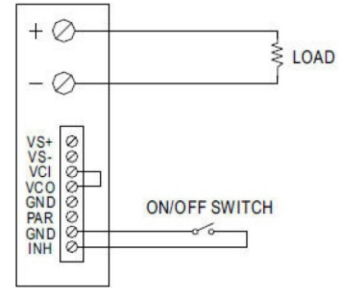
Control terminal instruction manual



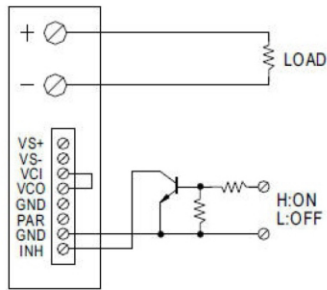
USING INTERNAL VOLTAGE CONTROL



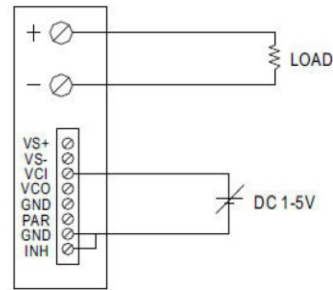
REMOTE SENSING



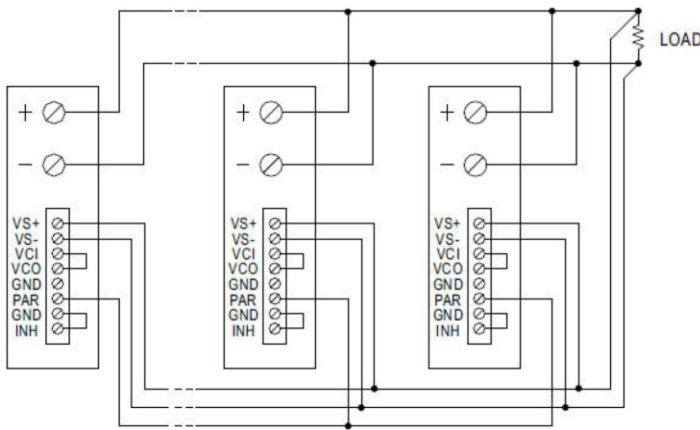
ON/OFF CONTROL BY SWITCH



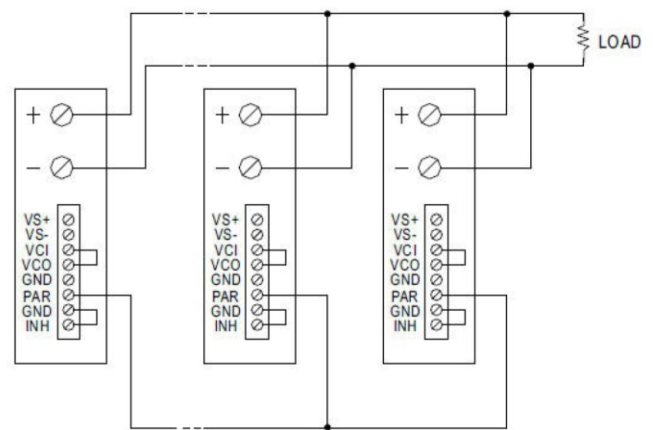
ON/OFF CONTROL BY TRANSISTOR



OUTPUT VOLTAGE ADJUST WITH DC 1-5V



PARALLEL OPERATION WITH REMOTE SENSING



PARALLEL OPERATION